

Comfort, Quality & Style Since 1998



Deluxe Patio Heater Item#: 11201, 61315

Model: PH03-S/PH03-SS



WARNING
FOR YOUR SAFETY

If you smell gas:

1. Shut off gas to the appliance
2. Extinguish any open flame
3. If odor continues, immediately call gas supplier.

WARNING
FOR YOUR SAFETY

Do not store or use gasoline or other flammable vapors or liquids in the vicinity of this or any other appliance.

WARNING

For Outdoor Use Only

WARNING

This product can expose you to chemicals including carbon monoxide which is known to the State of California to cause birth defects or other reproductive harm. For more information go to www.P65Warnings.ca.gov.



ATTACH YOUR RECEIPT HERE

Keep a copy of your proof of purchase or order confirmation which will be needed if you need to contact us about warranty coverage.

Purchase Date: _____



Questions, problems, missing parts?

Before returning to your retailer, our exceptional customer service is available.

Call us toll-free at (866) 985-7877, email us at cservice@welltraveled.net, or go online and live chat at www.wtliving.com. Our hours are: 9 a.m. – 6 p.m., EST, Monday – Friday



TABLE OF CONTENTS

Table of Contents	Page 2
Before You Begin	Page 2
Safety Information	Page 3
Package Contents	Page 4
Hardware Contents	Page 4
Assembly	Page 5-9
Operating Instructions	Page 10-11
Care and Maintenance	Page 12
Troubleshooting	Page 13
Warranty Information	Page 14



BEFORE YOU BEGIN

Please read and understand this entire manual before attempting to assemble, operate or install this appliance. If you have any questions regarding the product, please call us toll-free at **(866) 985-7877**, email us at cservice@welltraveled.net, or go online and live chat at www.wtliving.com. Our hours are: **9 a.m. – 6 p.m., EST, Monday – Friday**

This manual contains important information about the assembly, operation and maintenance of this patio heater. General safety information is presented on page 3 and is also located throughout this manual. Keep this manual for future reference and to educate new users of this appliance. This manual should be read in conjunction with the labeling on the appliance. Safety precautions are essential when any mechanical or propane fueled equipment is involved. These precautions are necessary when using, storing, and servicing. Using this appliance with the respect and caution demanded will reduce the possibilities of personal injury or property damage. The following symbols shown below are used extensively throughout this manual. Always heed these precautions, as they are essential when using any mechanical or propane fueled equipment.



DANGER

CARBON MONOXIDE HAZARD

- This appliance can produce carbon monoxide which has no odor.
- Using it in an enclosed space can kill you.
- Never use this appliance in a enclosed space such as a camper, tent, car or home.

WARNING

- Improper installation, adjustment, alteration, services or maintenance can cause injury, death or property damage.
- Read the installation, operating and maintenance instructions thoroughly before installing or servicing this equipment.

WARNING

FOR OUTDOOR USE ONLY

- Cylinders to be used must be constructed and marked in accordance with US DOT specifications.
 - Storage indoors is permissible only if the cylinder is removed.
 - The unit should be secured or moved indoors if winds exceed 19.5mph.
- NOTE: Use only 20lb. LPG tank (not supplied). Use only CSA regulator with 1.2m gas hose (included).

WARNING

- This appliance must only be used outdoors.
- Using this product in an enclosed area may cause injury, death or property damage.
- Read the instructions before use.
- This appliance must be installed in accordance with such regulations as are in force.
- Do not use the heater in an explosive atmosphere.
- Keep the heater away from areas where gasoline or other flammable liquids or vapors are stored.
- Prior to use check for damaged parts such as hoses, regulators, pilot or burner.

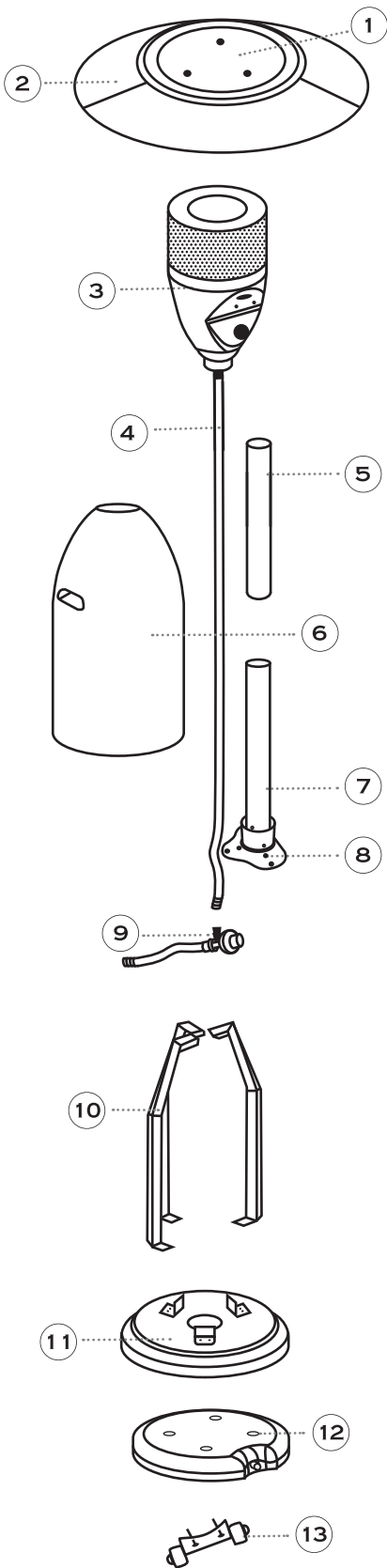
WARNING

- This appliance requires a gas hose and regulator.
- Regularly check the gas hose and if necessary, replace the gas hose.
- Disconnect LPG cylinder before moving the heater.
- Do not attempt to alter unit in any manner (Example: using the heater without the top canopy reflector or radiant screen).
- Do not shorten the burner post assembly.
- The appliance shall not be used in basements or below ground level.
- It must always be placed on a solid and level surface.
- Always ensure there is ample fresh air ventilation.
- For outdoor use ONLY.
- Maintain at least 50" top and side clearance to combustible materials and surfaces.
- Never replace or substitute the regulator with any regulator other than the factory suggested replacement.
- Do not clean the heater with cleaners that are combustible or corrosive.
- Do not paint radiant screen, control panel or top canopy reflector.
- Leak tests should be done with a soapy solution. NEVER USE AN OPEN FLAME TO CHECK FOR LEAKS.
- The LP Gas cylinder should be turned off when the heater is not in use.

WARNING

- At least once a year, the unit should be inspected for the presence of spiders, spider webs or other insects.
- Check the heater immediately if any of the following exist:
 1. The smell of gas in conjunction with extreme yellow colored tips of the burner flames.
 2. The heater does not reach temperature.
 3. The burner makes popping noises during use (a slight popping noises is normal when the burner is extinguished after using).
- The propane hose with regulator assembly shall be located out of pathways where people may trip over it or in areas where the hose may be subjected to accidental damage.
- Children and adults should be aware of the hazards of high surface temperature and shall stay away to avoid clothing burn or ignition.
- Young children should be carefully supervised when they are in the area of the heater.
- Clothing or other flammable material should not be hung from the heater, or placed on or near the heater.
- Any guard or other protective device removed for servicing the heater must be replaced prior to operation.
- Installation and repair should be done by a qualified service person. The heater should be inspected before use and cleaning may be required at least once a year or as necessary. It is imperative that control compartment, burner and circulating air passageways of the heater be kept clean.
- Keep the appliance area clear of combustible materials such as gasoline and other flammable vapors and liquids. Do not obstruct the flow of combustion and ventilation air.
- Keep the ventilation opening of the cylinder enclosure free and clear of debris.

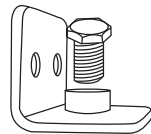
PACKAGE CONTENTS



PART	DESCRIPTION	QUANTITY
1	Center Reflector Cap	1
2	Reflector Panels	3
3	Head Assembly	1
4	Gas Hose attached to Head Assembly	1
5	Upper Post	1
6	Cylinder Cover	1
7	Lower Post	1
8	Post Support	1
9	Regulator (with 1-foot Hose)	1
10	Post Mounts	3
11	Base	1
12	Waterbox (pre-assembled to Base)	1
13	Wheel Assembly	1

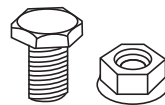


HARDWARE CONTENTS



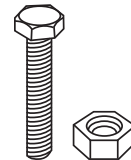
14

Large Bolt, Bracket
(Pre-assembled for Base)
Qty: 3



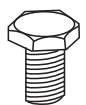
15

Medium Bolt, Flange Nut
(Pre-assembled for Wheels)
Qty: 2



16

Tall Bolt, Small Nut
Qty: 6



17

Medium Bolt
(Pre-assembled in Base)
Qty: 3



18

Small Screw, Cap Nut
(Together with reflector)
Qty: 9



19

Reflector Stud
Qty: 3



20

Large Washer
Qty: 6



21

Wing Nut
Qty: 3



22

Small Bolt, Small Washer, Small Nut
Qty: 6



23

Small Bolt
Qty: 4



24

Wrench
Qty: 1



PREPARATION

Before beginning assembly of this appliance, make sure all parts are present. Compare all parts with package contents list and hardware contents as listed on page 4 of this manual. If any part is missing or damaged, do not attempt to assemble this product. Contact customer service for replacement parts.

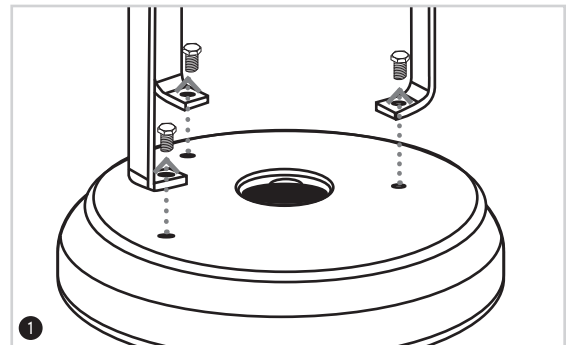
ESTIMATED ASSEMBLY TIME: 60 minutes

Tools Required for Assembly (NOT included):

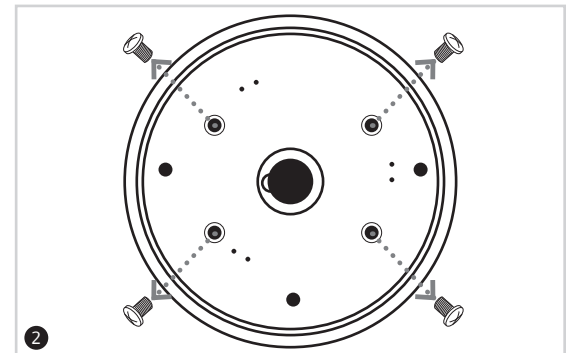
- Adjustable opening wrench 8" long
- Phillips head screwdriver
- AAA Battery

Note: This heater has an Electronic Ignition and will require installation of 1 – AAA battery. The battery should be installed by unscrewing the RED IGNITER BUTTON.

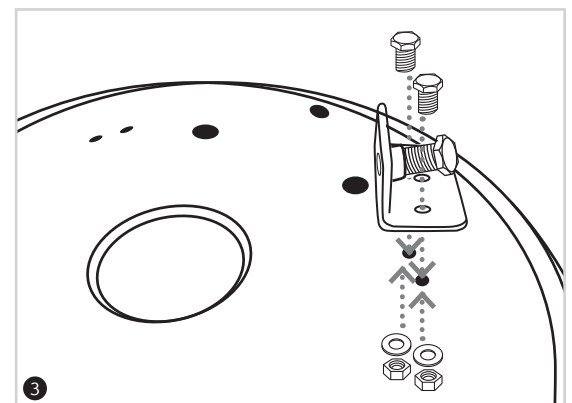
1 Unscrew the 3 **Medium Bolts** (17) that are pre-assembled in to the **Post Mounts** (19) to the **Base** (11).



2 Use your Phillips head screwdriver to remove the 4 pre-assembled screws from **Base** (11) and **Waterbox** (12). Remove **Waterbox** from **Base**, and set aside.



3 Align the 2 holes from the **Bracket** (14) with the holes on top of the **Base** (11) and insert **Small Bolt** (22). Secure with the **Small Washer and Small Nut** (22). Repeat with remaining 2 brackets. Hand tighten initially then tighten with the **Wrench** (24) when all bolts have been inserted.




Hardware Used: 3x Large Bolt, Bracket
6x Small Bolt, Small Washer, Small Nut



4 Place **Waterbox** ⑫ back under **Base** ⑪ and use your phillips head screwdriver to screw back in the 4 screws from **Base** to the **Waterbox**.

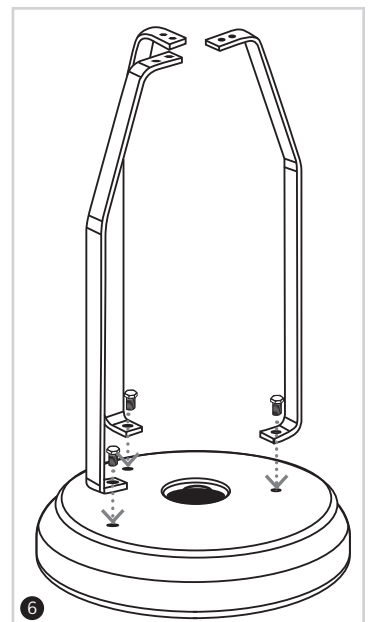
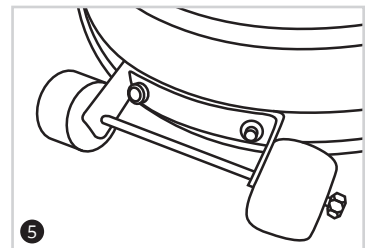
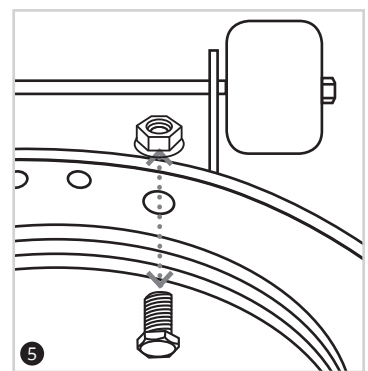
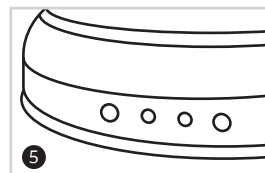
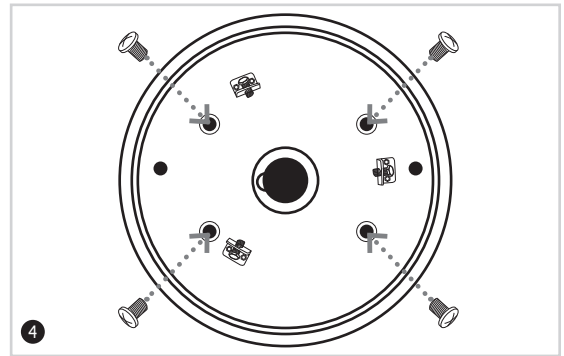
Note: You may find it easier to fill the waterbox prior to attaching wheels, in step 5. To fill, pull open the plastic cap on top of the waterbox and fill with water or sand. Place the plastic cap back on top.

5 Locate **Wheel Assembly** ⑬ and 2 **Medium Bolts and Flange Nuts** ⑮. Turn **Base** ⑪ so that holes for attachment of **Wheel Assembly** are facing you. Align holes in **Wheel Assembly** with holes on **Base**. Insert bolts through both sets of holes and secure nuts on end of bolt. **Wheel Assembly** should now be attached to **Base** as shown.

 **Hardware Used:** 2x Medium Bolt, Flange Nut

6 Place the **Post Mounts** ⑩ on the top of the **Base** ⑪, and connect them using the **Medium Bolts** ⑰. Hand tighten initially then tighten with the **Wrench** ⑳ when all bolts have been inserted.

 **Hardware Used:** 3x Medium Bolts

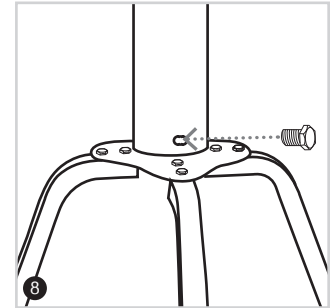
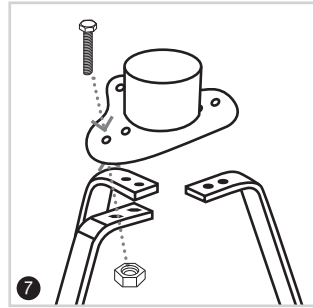




7 Place the **Post Support** (8) on the top of **Post Mounts** (10) and attach using the **Tall Bolt and Small Nut** (16). Repeat with remaining holes. Hand tighten initially then tighten with the **Wrench** (24) when all nuts and bolts have been inserted.



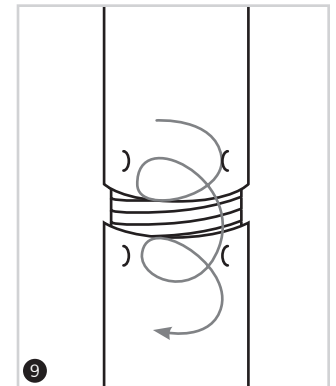
Hardware Used: 6x Tall Bolt and Small Nut



8 Attach the **Lower Post** (7) to the **Post Support** (8) by using **4 Small Bolts** (23). Hand tighten initially then tighten with the **Wrench** (24) when all bolts have been inserted.

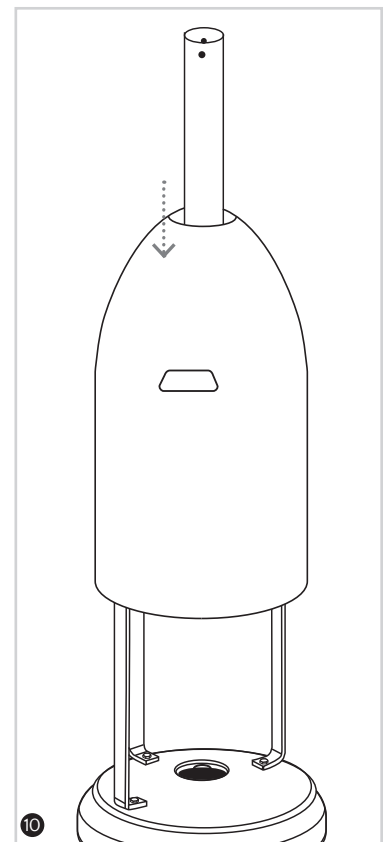


Hardware Used: 4x Small Bolt



9 Screw the **Upper Post** (5) to the **Lower Post** (7) by turning in a clockwise direction until securely tightened.

10 Slide **Cylinder Cover** (6) over the assembled **Upper/Lower Posts** (5)/(7) and rest the **Cylinder Cover** on the **Base** (11).



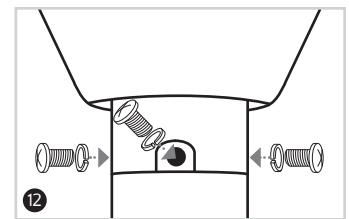
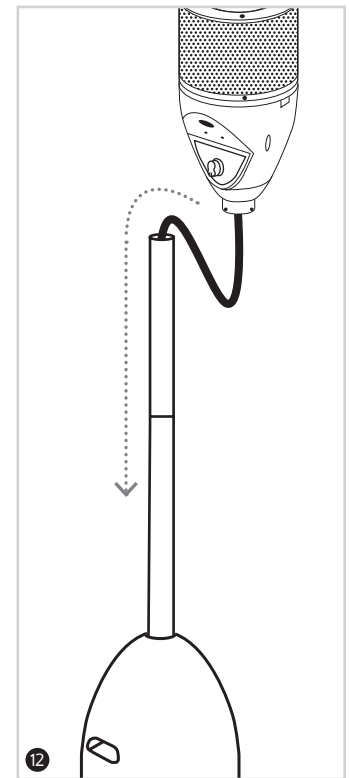
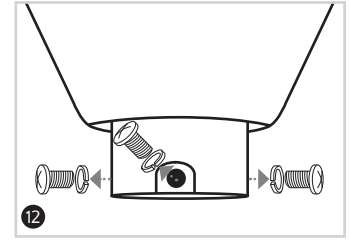
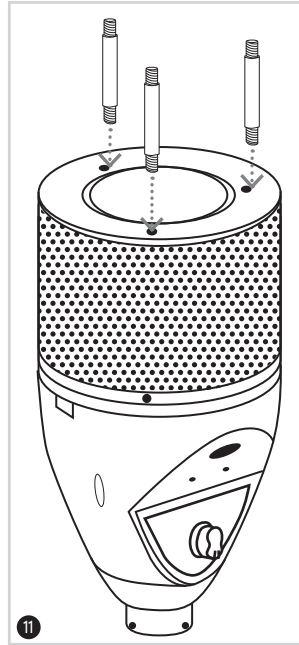


11 Attach **Reflector Studs** (19) to the top of the **Head Assembly** (3) by inserting 1 **Reflector Stud** into the hole on the top of the **Head Assembly**. Tighten stud securely. Repeat with the other 2 **Reflector Studs**.



Hardware Used: 3x Reflector Stud

12 Remove the 4 pre-assembled screws and lock washers from the base of the **Head Assembly** (3) and set aside. Route the **Gas Hose** (4) down into **Upper/Lower Posts** (5/7) and align the 4 small holes on the base of the **Head Assembly** (3) with the 4 small holes in the top of the **Upper Post** (5). *[HINT: Control knob should be above decal on post.]* Insert the 4 screws and lock washers that were set aside through the aligned 4 holes and tighten securely with the **Wrench** (24).

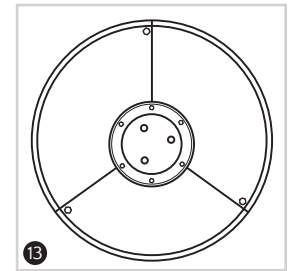
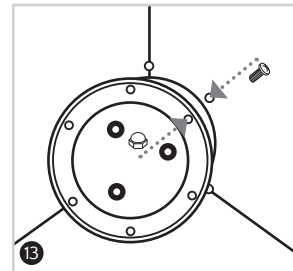
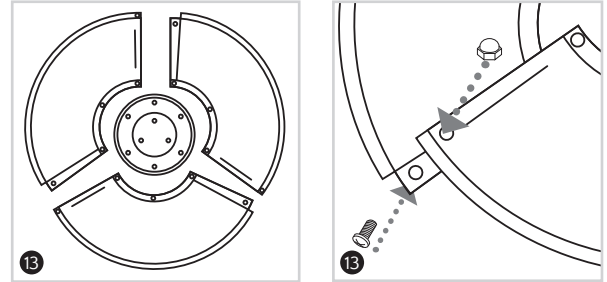




13 Install Reflector. **NOTE: MAKE SURE TO REMOVE THE BLUE REFLECTOR TAPE ON REFLECTOR PIECES PRIOR TO ASSEMBLY!** *Assembly Tip: If necessary for proper alignment of reflector sections, loosen each screw prior to further assembly and retighten after sections are aligned.* Slide two **Reflector Panels** (2) together. Insert one **Small Screw** (18) front underneath and loosely screw on **Cap Nut** (18) from top. Repeat with the other **Reflector Panels** (2). Slide **Reflector Center Cap** (1) onto assembled **Reflector Panels**. Insert one **Small Screw** and screw on **Cap Nut** loosely. Repeat with two more **Small Screws** and **Cap Nuts** to complete reflector assembly. Fully tighten all screws and cap nuts.



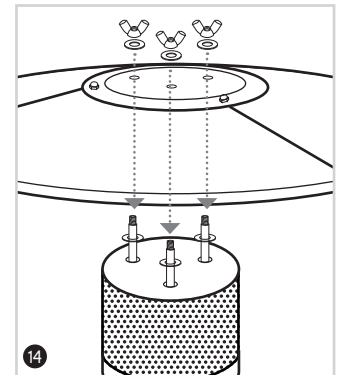
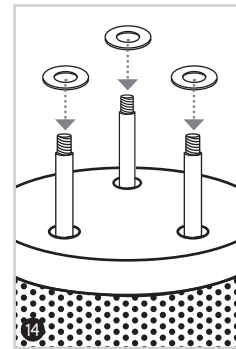
Hardware Used: 9x Small Screw | 9x Cap Nut (18)



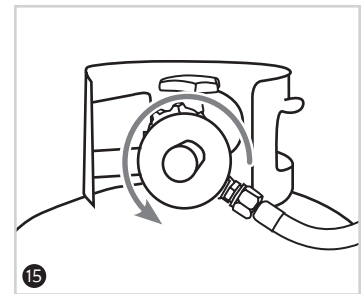
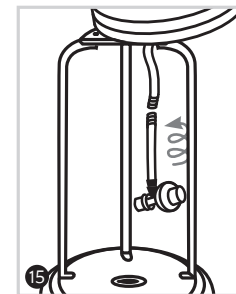
14 While supporting heater, tilt the **Head Assembly** (3) and slide 3 **Large Flat Washers** (20) over the **Reflector Studs** (19). Place the reflector assembly onto the **Reflector Studs** and slide 3 **Large Flat Washers** over the **Reflector Studs** and onto the **Reflector Assembly**. Secure with 3 **Wing Nuts** (21). Once you have tightened the **Wing Nuts**, return the heater to an upright position.



Hardware Used: 6x Large Flat Washer
3x Wing Nut



15 Slide **Cylinder Cover** (6) up and rest the **Cylinder Cover** on the **Post Support** (8). Connect the **Gas Hose** (4) and **Regulator** (9) to the LP cylinder. (The LP cylinder is sold separately. Use a standard 9.07 kg / 20 lb propane cylinder *only*.) Screw **Regulator** on to the **Gas Hose**. Do not cross thread. Hand tighten securely then tighten with the **Wrench** (24). Attach the **Regulator** to the valve on the LP cylinder and hand tighten securely. Place LP tank onto base of heater. Secure the LP gas tank by tightening the **Large Bolts** (14) on the **Brackets** (14) on the **Base** (11). Lower the **Cylinder Cover**.



NOTE: Use this heater only with a propane vapor withdrawal supply system. See chapter 5 of the standard for storage and handling of liquefied petroleum gas, ANSI/NFPA 58. Your local library or fire department should have this book.



BEFORE TURNING GAS SUPPLY ON

Your heater was designed and approved for OUTDOOR USE ONLY. DO NOT use it inside a building, or any other enclosed area. Make sure surrounding areas are free of combustible materials, gasoline and other flammable vapors or liquids.

Ensure that there is no obstruction to air ventilation. Be sure all gas connections are tight and there are no leaks. Be sure that access panels are clear of debris. Be sure any component removed during assembly or servicing is replaced and fastened prior to starting.

BEFORE LIGHTING

1. Heater should be thoroughly inspected before each use, and by a qualified service person at least annually. If re-lighting a hot heater, always wait at least 5 minutes.
2. Inspect the hose assembly for evidence of excessive abrasion, cuts, or wear. Suspected areas should be leak tested. If the hose leaks, it must be replaced prior to operation. Only use the replacement hose assembly specified by the manufacturer.

LIGHTING INSTRUCTIONS

Note: For initial start-up or after any cylinder change, hold the Control Knob in for 2 minutes to purge air from all gas lines before proceeding. When lighting the burner make sure that the Control Knob is held in while pressing the igniter button. The Control Knob can be released after the burner has been lit for 15-30 seconds.

1. Turn the Control Knob to the "OFF" position.
2. Fully open the LP cylinder valve.
3. Press and turn the Control Knob counterclockwise 90° to the "HIGH" position. While pressing inward on the Control Knob in the "HIGH" position also press and hold the RED igniter button until the burner flame ignites. (You should hear a rapid series of sparks when pressing the igniter button.) After the burner ignites you can release the RED igniter button but you MUST continue to press inward on the Control Knob for an additional 15-30 seconds to allow time to heat up the safety thermocouple which keeps the burner lit.
4. To decrease the flame, turn the Control Knob counter clockwise towards "LOW". If you then wish to increase the flame, turn the Control Knob clockwise towards "HIGH".
5. To turn the appliance OFF, push down the Control Knob and turn clockwise to the "OFF" position.
6. Turn the gas cylinder valve to OFF or closed.
7. Wait at least 5 minutes before attempting to re-light the heater

If you experience any ignition problems, please consult "Troubleshooting" on page 13. **Caution:** Avoid inhaling fumes emitted from the heater's first use. Smoke and odor from the burning of oils used in the manufacturing will appear. Both smoke and odor will dissipate after approximately 30 minutes. The heater should NOT produce thick black smoke.

WARNING

DO NOT attempt to operate heater until you have read and understood all precautions. Failure to do so can result in serious personal injury, death and/or property damage.

WARNING

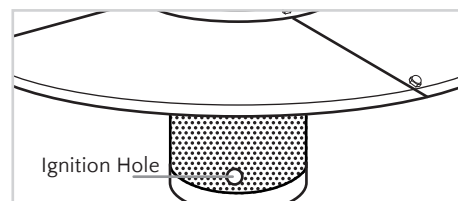
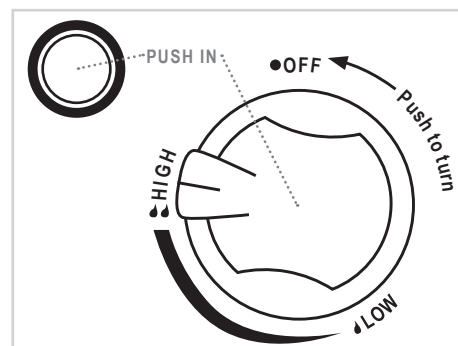
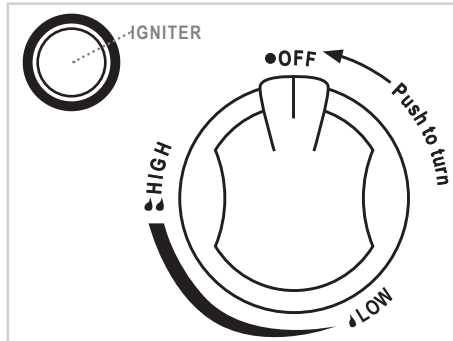
FOR YOU SAFETY:

If at any time you are unable to light burner and smell gas, wait 5 minutes to allow gas to dissipate before attempting to light heater. If after 1 minute you are unable to light burner, wait 5 minutes and allow flammable vapors to dissipate before attempting to light heater again.

WARNING

FOR YOU SAFETY:

DO NOT touch or move heater for at least 45 minutes after use. Allow emitter and dome to cool before touching.



If you experience any ignition problem, turn off the heater and gas supply, and consult troubleshooting on page 13.

WHEN HEATER IS ON:

Emitter screen will become bright red due to intense heat. The color is more visible at night. Burner will display tongues of blue flame. These flames should not be yellow or produce thick black smoke, indicating an obstruction of airflow through the burner.

OPERATION PRESSURE CHECKED

If the flame is very small, this is because the supply pressure is not enough.

TO RE-LIGHT:

1. Turn the control knob to "OFF" position.
2. Wait five minutes before attempting to relight.
3. Repeat steps beginning with step 2 on page 10.

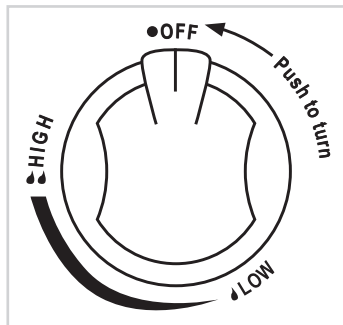
BEFORE LEAVING HEATER UNATTENDED:

1. Turn the control knob to "OFF" position and turn LPG cylinder to "OFF" position.
2. Never leave the patio heater unattended while in use.

SHUT DOWN INSTRUCTIONS

1. Push in and turn control knob clockwise to "OFF" position.
2. Turn LPG cylinder valve clockwise to "OFF" position when heater is not in use.

Note: After use, some discoloration of the emitter screen is normal.



CAUTION: Avoid inhaling fumes emitted from the heater's first use. Smoke and odor from the burning of oils used in manufacturing will appear. Both smoke and odor will dissipate after approximately 30 minutes. The heater should NOT produce thick black smoke.

Note: The burner may be noisy when initially turned on. To eliminate excessive noise from the burner, turn the control knob to the "LOW" position, then turn the knob to the level of heat desired.

IN THE EVENT OF GAS LEAKAGE

1. Turn the control knob to "OFF" position.
2. Turn LP cylinder to "OFF" position.
3. Wait 5 minutes to allow gas to dissipate.
4. If odor continues, immediately call gas supplier.

LOCATION OF HEATER FOR USE

This heater is primarily used for the heating of outdoor patios, decks, spas, and open working areas. Always make sure that adequate fresh air ventilation is provided. Follow the spacing tolerances shown in Figure 1. The minimum clearances, shown in Figure 1 must be maintained at all times.

The installation must conform to local codes or in the absence of local codes, with the standard for the storage and handling of liquid petroleum gases, ANS/NFPA 58-1986. or most recent addition. (For Canada, with the current CAN1-B149).

The heater must be placed on level firm ground.

Never operate in an explosive atmosphere. Keep away from areas where gasoline or other flammable liquids or vapors are stored or used.

WARNING

Heater will be hot after use. Handle with extreme care.

When certain material or items are left above, beside, or under this heater while in use, they will be subject to radiant heat and could be seriously damaged.

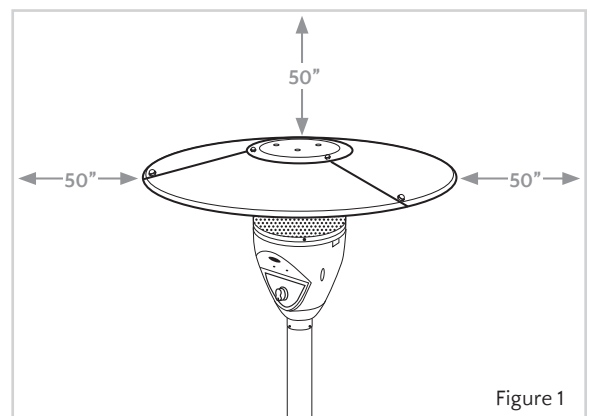


Figure 1

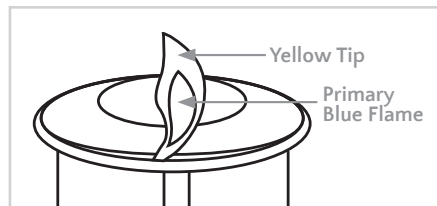
CHECK YOUR HOSE ASSEMBLY

The installation of fixed appliance shall only be carried out by competent persons and be in accordance with the relevant codes of practice.

WARNING: This appliance requires a gas hose and regulator. Check with your gas supplier and or product supplier. Regularly check the gas hose and if necessary, replace the gas hose. Prior to use, check for damage parts such as hoses, regulator, pilot or burner. Never replace or substitute the regulator with any regulator other than the factory suggested replacement.

CHECK YOUR FLAME

The flame pattern at the emitter screen should be visually checked whenever heater is operated. Normally the burner flame is blue, but a little yellow flame is acceptable. If flames extend beyond the emitter grid or there are black spots that have accumulated on the emitter grid or reflector, immediately turn off the patio heater. The heater should not be operated again until it has been serviced and repaired by a qualified gas technician.



CLEANING YOUR HEATER

To enjoy years of outstanding performance from your heater, make sure you perform the following maintenance activities on a regular basis:

1. Keep exterior surfaces clean
 - Use warm soapy water for cleaning. Never use flammable or corrosive cleaning agents.
 - While washing your unit, be sure to keep the area around the burner and pilot assembly dry at all times. If the gas control is exposed to water in any way, do not try to use it. It must be replaced.
2. Air flow must be unobstructed. Keep controls, burner, and circulating air passageways clean. Signs of possible blockage include:
 - Gas odor with extreme yellow tipping of flame
 - Heater does not reach the desired temperature
 - Heater glow is excessively uneven
 - Heater makes popping noises
3. Spiders and insects can nest in burner or orifices. This dangerous condition can damage the heater and render it unsafe for use. Clean burner holes by using a heavy-duty pipe cleaner. Compressed air may help clear away smaller particles.
4. Carbon deposits may create a fire hazard. Clean dome and emitter screen with warm soapy water if any carbon deposits develop.

Note: In a salt-air environment (such as near an ocean) corrosion occurs more quickly than normal. Frequently check for corroded areas and repair them promptly.

WARNING

FOR YOUR SAFETY

DO NOT touch or move heater for at least 45 minutes after use. Allow all burner elements to cool before touching.

STORAGE:

Between uses:

- Turn the control knob to “OFF” position.
- Turn LPG cylinder to “OFF” position.
- Store heater upright in an area sheltered from direct contact with inclement weather (such as rain, sleet, hail, snow, dust and debris).
- If desired, cover heater to protect exterior surfaces and or help prevent debris in air passages. DO NOT cover until heater has cooled completely.

During periods of extended inactivity or when transporting:

- Turn the control knob to “OFF” position.
- Disconnect LPG cylinder and move to a secure, well-ventilated location outdoors. Do NOT store in a location that will exceed 125 degrees F.
- The propane cylinder must be stored outdoors in well-ventilated area, and it must be out of reach of children. Do not store in a building, garage, or any other enclosed area.

Store heater upright in an area sheltered from direct contact with inclement weather (such as rain, sleet, hail, snow and debris). If desired, cover heater to protect surfaces and to help prevent debris in air passages.

Note: Wait until heater is completely cooled before covering.



PROBLEM	POSSIBLE CAUSE	CORRECTIVE ACTION
Main burner will not light	Gas valve may be off	Turn gas valve ON
	Fuel tank may be empty	Refill LPG tank
	Orifice blocked	Clean or replace orifice
	Air in supply system	Purge air from lines. Open gas lines and depress Control Knob for 2-3 mins.
	Loose connection	Check all fittings
	Igniter fails	Use stick lighter to manually light
	Gas pressure low with valve open full	Replace cylinder or regulator
	New cylinder or 1st ignition	Purge air from lines
	Cylinder valve on, no gas flow	Replace hose/regulator assembly
	AAA battery behind igniter button is dead	Replace with a new AAA battery
Low burner flame	Pressure is low	Replace LPG tank
	Tank is low on fuel	Fill LPG tank
	Gas hose is kinked	Check & straighten or replace
	Control Knob at max	Check for obstruction at passageways and orifices
Burner unit	Carbon on reflector & emitter screen	Clean components as needed
	Thick black smoke	Blockage in burner assembly—thoroughly clean burner

Comfort, Quality & Style Since 1998



1 YEAR LIMITED WARRANTY

Customers in the Continental US

All components are warranted for a period of 1 year after date of purchase by the original owner against defects in materials and workmanship under normal use. This warranty does NOT cover normal wear and weathering, assembly and/or maintenance OR use in a commercial application if model is not designated as a commercial model. At Well Traveled Living's sole discretion, products under warranty will be repaired and/or replaced at no charge to the customer. Any returns sent back to Well Traveled Living must be sent via prepaid freight and in the original retail packaging.

For warranty service contact Well Traveled Living at the address, phone numbers or internet site and email listed in this owner's manual. Be sure to have your sales receipt, date of purchase and catalogue/model numbers available when calling. All warranty service will be coordinated by the Well Traveled Living's, Amelia Island, Florida service center.

This warranty is extended only to the original purchaser. Proof of purchase will be required before warranty service is rendered. The sales receipt is the only valid proof of purchase. This warranty only covers failures due to defects in materials or workmanship which occur during normal use. Failures and/or damage which result from accident, negligence, misuse, abuse, neglect, mishandling, alteration or modification, failure to maintain, improper assembly or maintenance, service by unauthorized agency or use of unauthorized components or damage that is attributable to acts of God are NOT covered.

This limited warranty gives you specific legal rights and you may also have other rights which vary from jurisdiction to jurisdiction. The provisions of the United Nations Convention on Contracts for the Sales of Goods shall not apply to this limited warranty or the sale of products covered by this limited warranty.

- THERE ARE NO EXPRESS WARRANTIES EXCEPT AS LISTED ABOVE
- PURCHASER ASSUMES ALL RISKS IN THE ASSEMBLY AND OPERATION OF THIS UNIT
- FAILURE TO FOLLOW WARNINGS AND OPERATIONAL INSTRUCTIONS CONTAINED IN THIS MANUAL CAN RESULT IN SEVERE PROPERTY DAMAGE AND/OR PERSONAL INJURY
- IN NO EVENT WILL WELL TRAVELED LIVING, OR ITS DIRECTORS, OFFICERS OR AGENTS BE LIABLE TO THE PURCHASER OR ANY THIRD PARTY, WHETHER IN CONTRACT, IN TORT, OR ON ANY OTHER BASIS, FOR ANY INDIRECT, SPECIAL, PUNITIVE, EXEMPLARY, CONSEQUENTIAL, OR INCIDENTAL LOSS, COST, OR DAMAGE ARISING OUT OF OR IN CONNECTION WITH THE SALE, MAINTENANCE, USE, OR INABILITY TO USE THE PRODUCT, EVEN IF WELL TRAVELED LIVING OR ITS DIRECTORS, OFFICERS OR AGENTS HAVE BEEN ADVISED OF THE POSSIBILITY OF SUCH LOSSES, COSTS OR DAMAGES, OR IF SUCH LOSSES, COSTS, OR DAMAGES ARE FORESEEABLE. IN NO EVENT WILL WELL TRAVELED LIVING, OR ITS OFFICERS, DIRECTORS, OR AGENTS BE LIABLE FOR ANY DIRECT LOSSES, COSTS OR DAMAGES THAT EXCEED THE PURCHASE PRICE OF THE PRODUCT.
- SOME JURISDICTIONS DO NOT ALLOW THE EXCLUSION OR LIMITATION OF INCIDENTAL OR CONSEQUENTIAL DAMAGES, SO THE ABOVE LIMITATION OR EXCLUSION MAY NOT APPLY TO THE PURCHASER.



Important Notice

Do NOT return to place of purchase—for customer service and warranty issues contact our Customer Service Center at: **(866) 985-7877**, email us at cservice@welltraveled.net, or go online and live chat at www.wtliving.com. Our hours are: **9 a.m. – 6 p.m., EST, Monday – Friday**



Distributed By:

Well Traveled Living
716 S 8th Street, Amelia Island, FL 32034
wtliving.com | cservice@welltraveled.net
(866) 985-7877