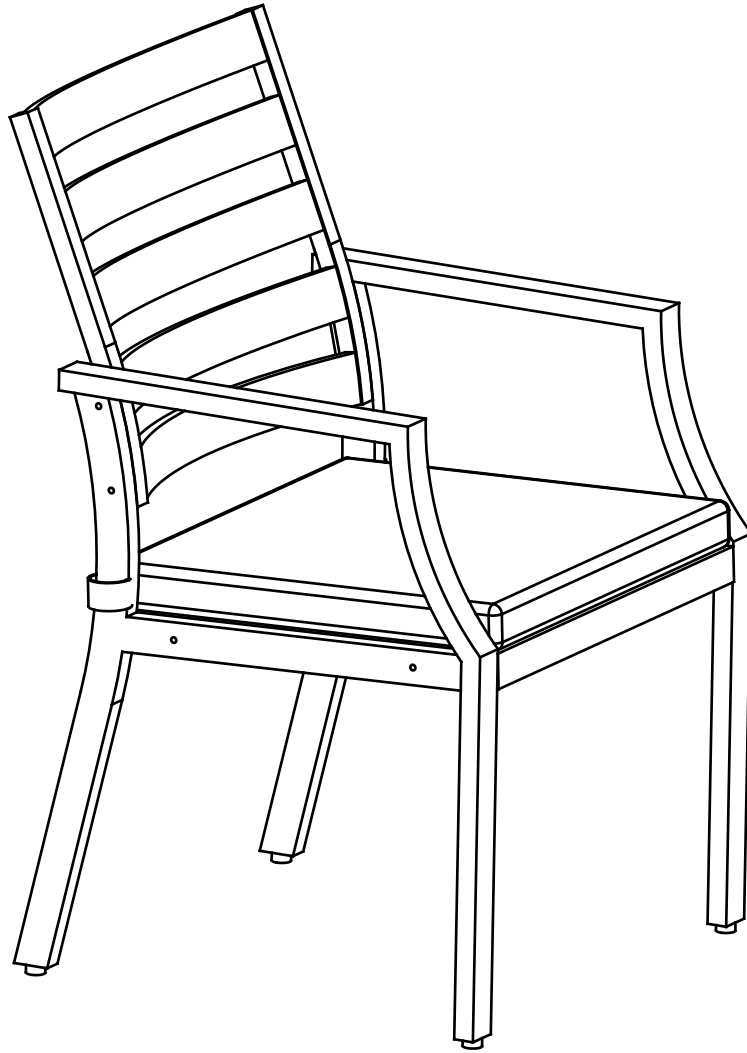


# Owner's Manual

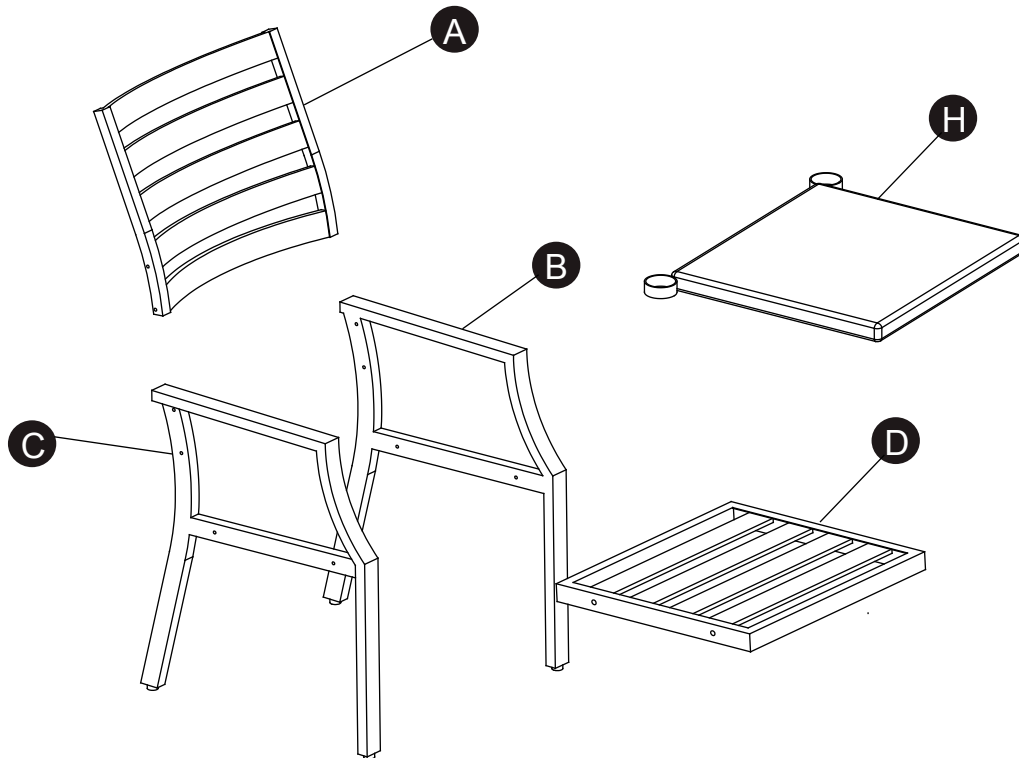
## OUTDOOR KD Chair

ITEM # 62109

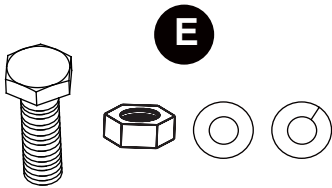


- Read instructions,cover to cover-
- Have 2 adults on hand for assembly-
- Do not assemble on flooring or carpet-
- Assemble on a clean non-marring surface (packing foam)-
- Save all packaging until finished-

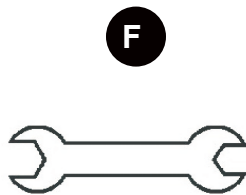
## PACKAGE CONTENTS



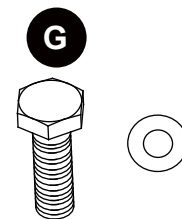
## HARDWARE CONTENTS



**E**  
 Bolt (6\*55mm)  
 Nut (M6)  
 Washer(M6)  
 Spring Washer(M6)  
 Qty. 4 of each



**F**  
 Wrench  
 Qty. 2



**G**  
 Bolt (6\*35mm)  
 Washer(M6)  
 Qty. 4 of each

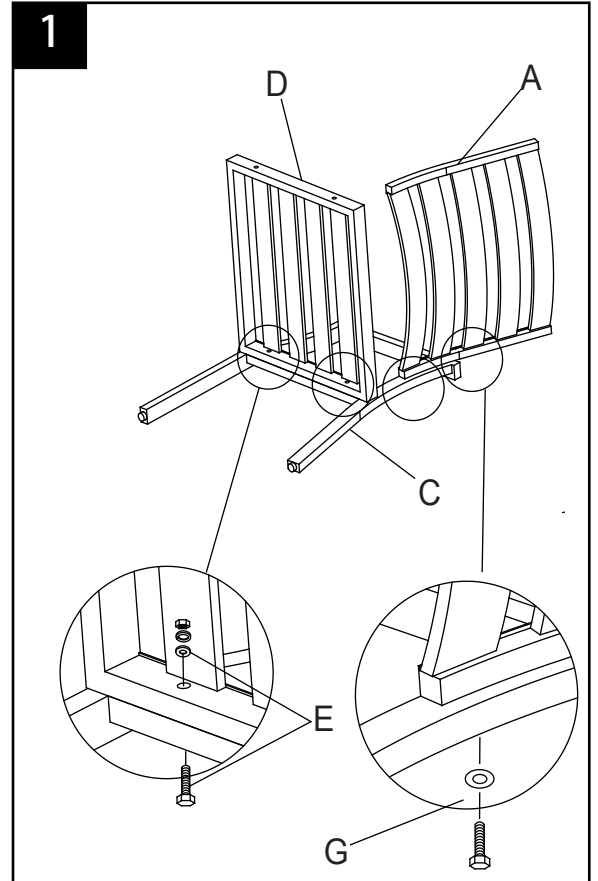
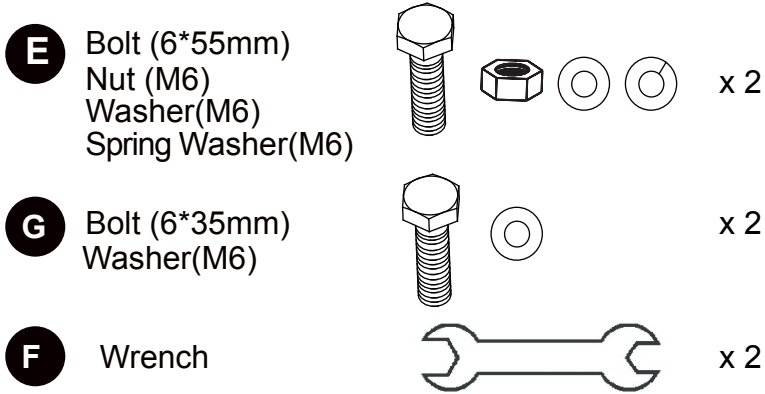
PART	DESCRIPTION	QUANTITY
A	Backrest panel	1
B	Left Arm with pre-attached leg levers	1
C	Right Arm with pre-attached leg levers	1
D	Chair seat panel	1
E	Bolt(6*55),Nut(M6),Washer(M6),Spring Washer(M6)	4
F	Wrench	2
G	Bolt(M6*35),Washer(M6)	4
H	Seat cushion	1

## ASSEMBLY INSTRUCTION

1. Place the Right Arm flat on the ground. Attach the Chair Seat Panel (D) to the Right arm (C) using Bolts(E) , Nuts, Spring Washers and Washers with the Wrench(F). Attach the Backrest Panel(A) to the Right arm (C) using Bolts(G) with the Wrench(F).

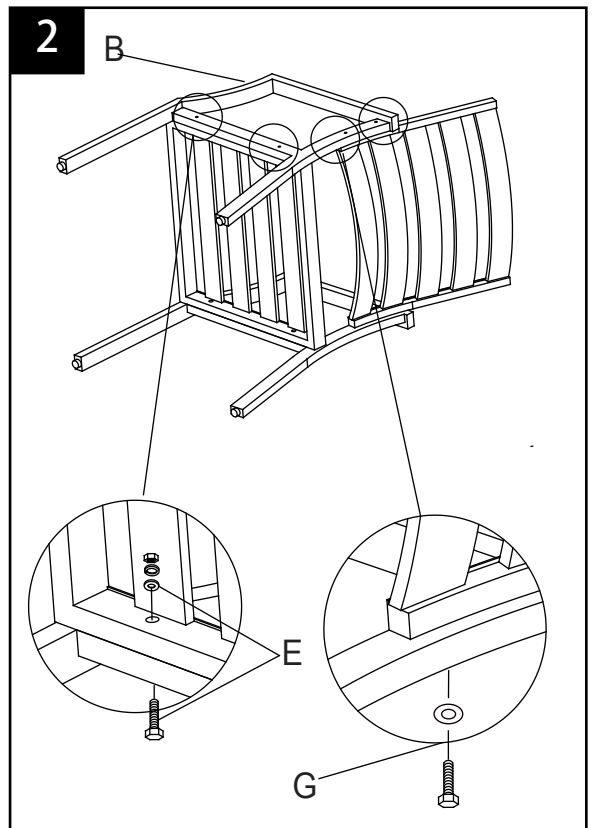
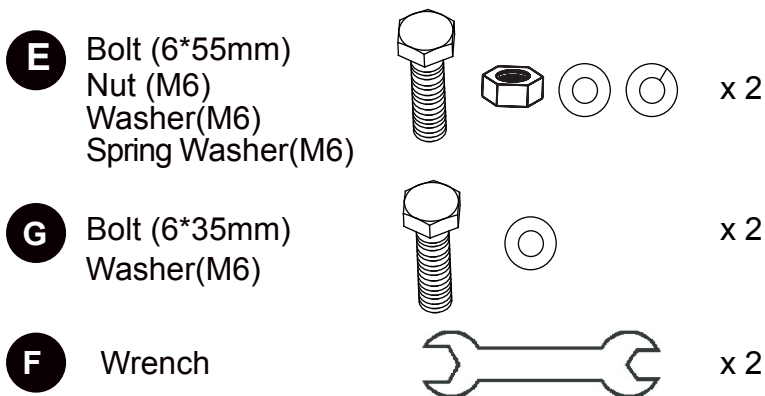
DO NOT OVERTIGHTEN.

### Hardware Used



2. Attach the Left arm (B) to the Chair Seat Panel (D) using Bolts(E) , Nuts, Spring Washers and Washers with the Wrench(F). Attach the Left arm (B) to the Backrest Panel(A) using Bolts(G) with the Wrench(F). DO NOT OVERTIGHTEN

### Hardware Used



## ASSEMBLY INSTRUCTION

3. Turn the Chair rightside. Adjust the pre-installed Levellers until the chair is level with the ground , tighten all screws and bolts.



4. TO put the Seat cushion on.

