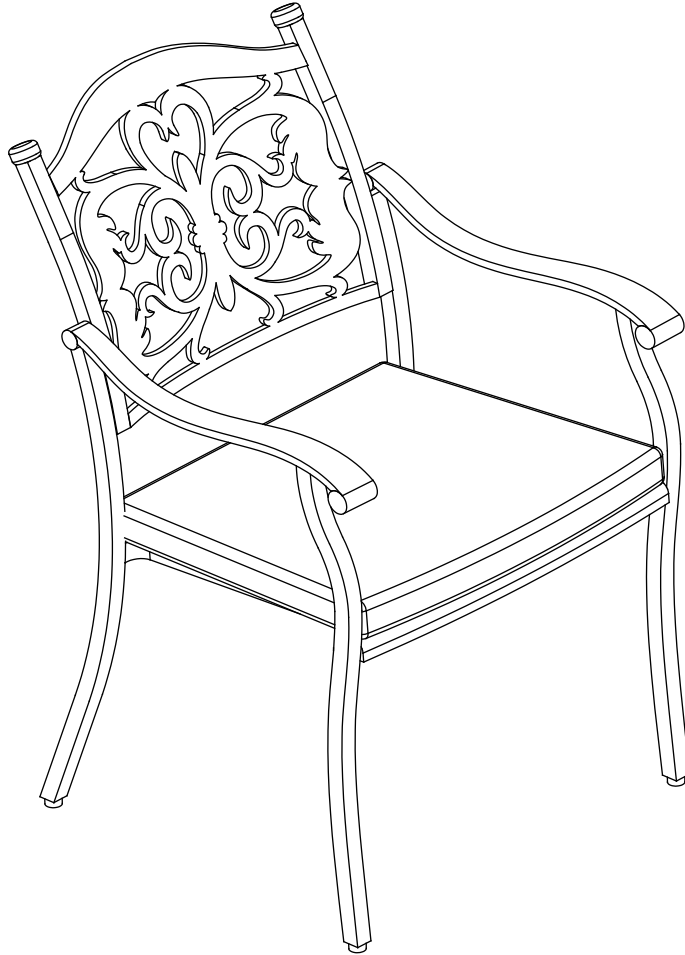


Owner's Manual

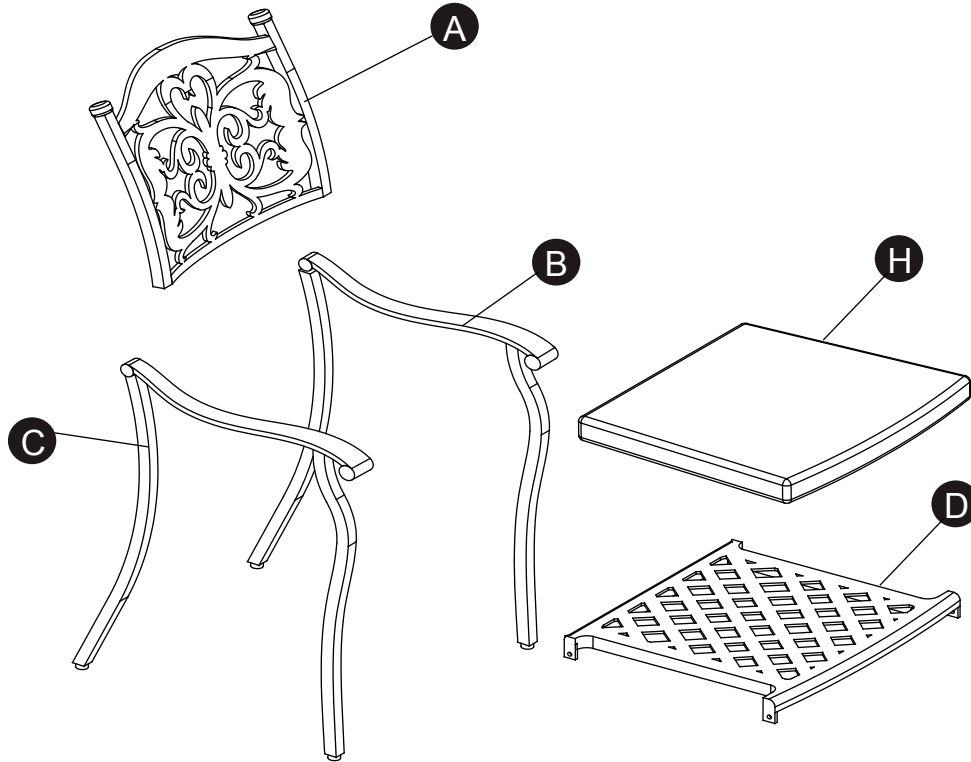
OUTDOOR KD Chair

ITEM # 62110

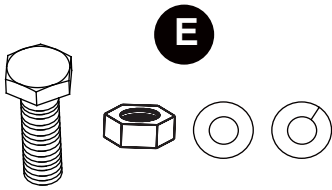


- Read instructions,cover to cover-
- Have 2 adults on hand for assembly-
- Do not assemble on flooring or carpet-
- Assemble on a clean non-marring surface (packing foam)-
- Save all packaging until finished

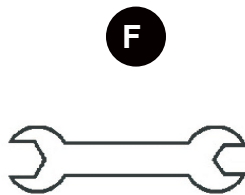
PACKAGE CONTENTS



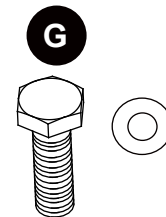
HARDWARE CONTENTS



E
 Bolt (6*45mm)
 Nut (M6)
 Washer(M6)
 Spring Washer(M6)
 Qty. 4 of each



F
 Wrench
 Qty. 2



G
 Bolt (6*35mm)
 Washer(M6)
 Qty. 4 of each

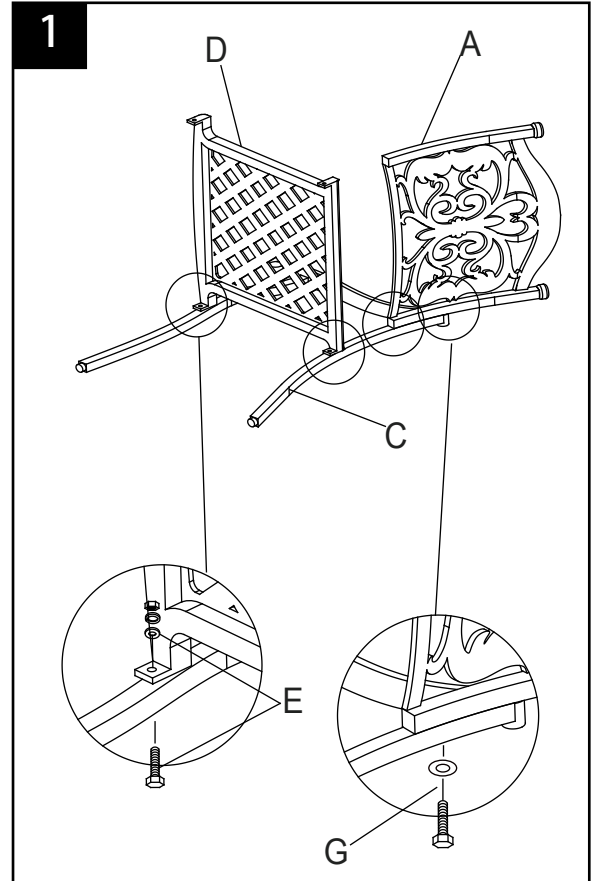
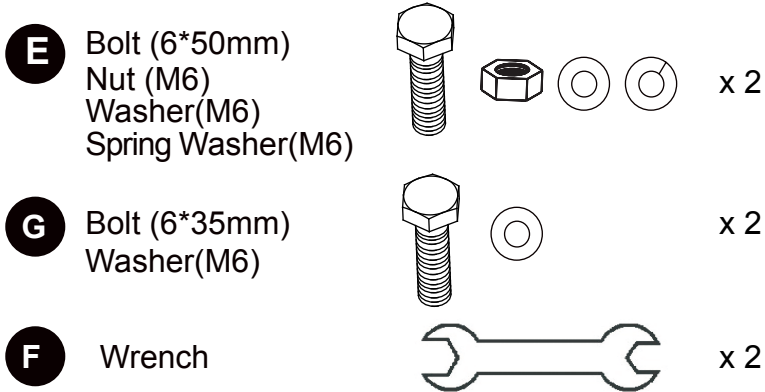
PART	DESCRIPTION	QUANTITY
A	Backrest panel	1
B	Left Arm with pre-attached leg levellers	1
C	Right Arm with pre-attached leg levellers	1
D	Chair seat panel	1
E	Bolt(6*50),Nut(M6),Washer(M6),Spring Washer(M6)	4
F	Wrench	2
G	Bolt(M6*35),Washer(M6)	4
H	Seat cushion	1

ASSEMBLY INSTRUCTION

1. Place the Right Arm flat on the ground. Attach the Chair Seat Panel (D) to the Right arm (C) using Bolts(E) , Nuts, Spring Washers and Washers with the Wrench(F). Attach the Backrest Panel(A) to the Right arm (C) using Bolts(G) with the Wrench(F).

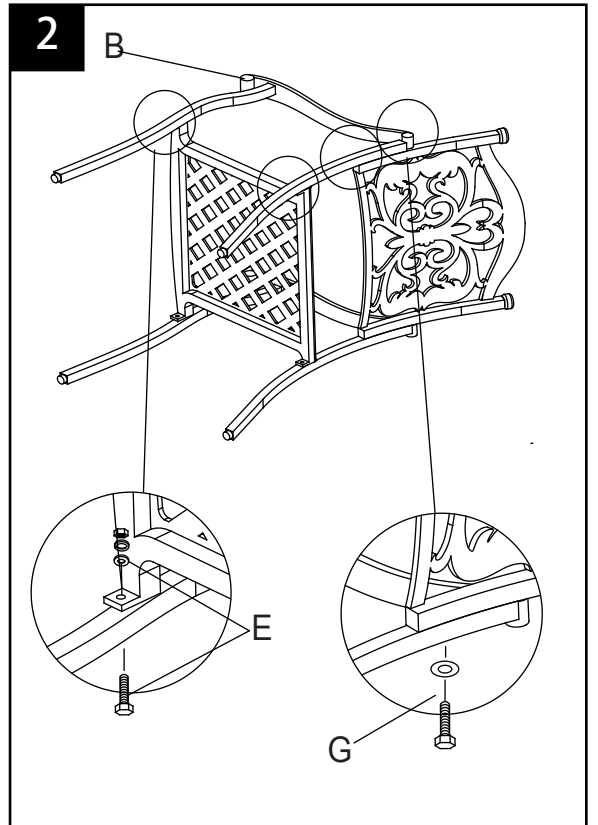
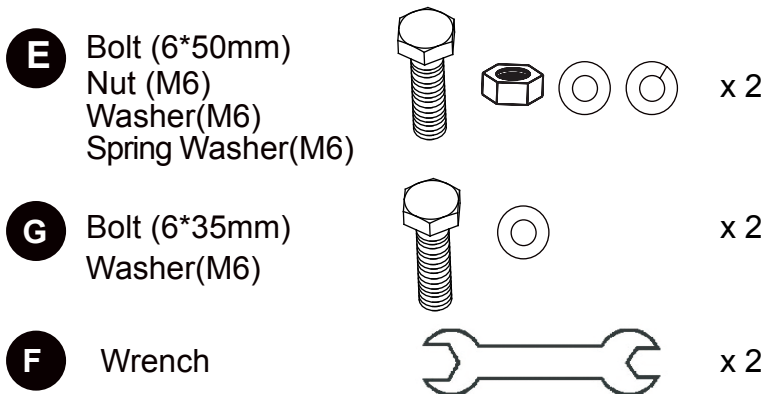
DO NOT OVERTIGHTEN.

Hardware Used



2. Attach the Left arm (B) to the Chair Seat Panel (D) using Bolts(E) , Nuts, Spring Washers and Washers with the Wrench(F). Attach the Left arm (B) to the Backrest Panel(A) using Bolts(G) with the Wrench(F). DO NOT OVERTIGHTEN

Hardware Used



ASSEMBLY INSTRUCTION

3. Turn the Chair rightside. Adjust the pre-installed Levellers until the chair is level with the ground , tighten all screws and bolts.



4. TO put the Seat cushion on.

