

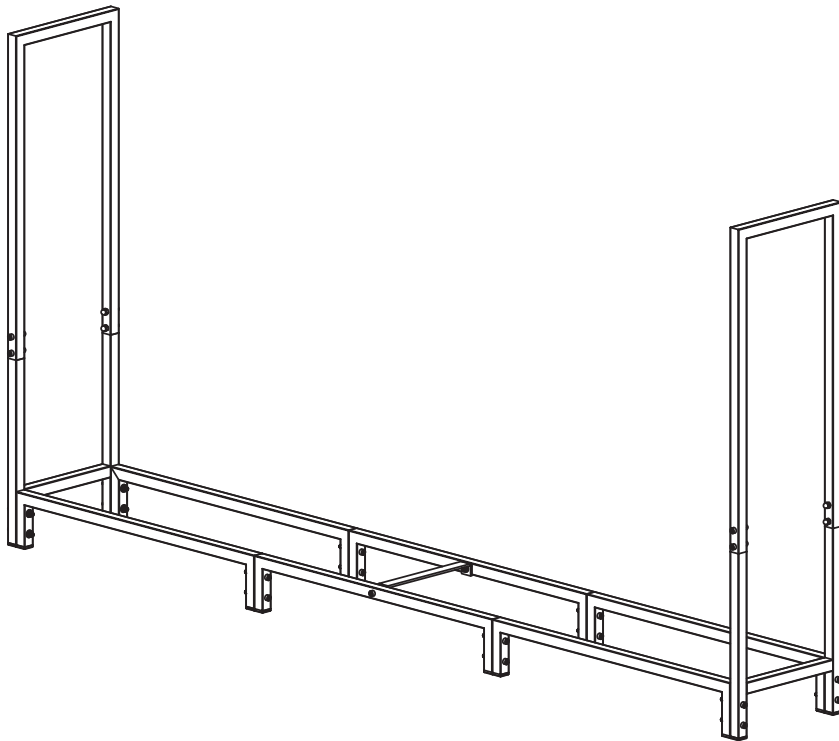
Comfort, Quality & Style Since 1998

FireSense®

8-Foot Log Rack

Assembled Dimensions: 96" x 13.5" x 49.5"

Item#: 62226



WARNING FOR YOUR SAFETY

1. Improper installation, adjustment, alteration, service or maintenance can cause injury or property damage.
2. Read the installation, operation, and maintenance instructions thoroughly before installing or servicing this equipment.
3. Failure to follow these instructions could result in property damage, personal injury, or death.



ATTACH YOUR RECEIPT HERE

Keep a copy of your proof of purchase or order confirmation which will be needed if you need to contact us about warranty coverage.

Purchase Date: _____



Questions, problems, missing parts?

Before returning to your retailer, our exceptional customer service is available.

Call us toll-free at (866) 985-7877, email us at cservice@welltraveled.net, or go online and live chat at www.wtliving.com. Our hours are: 9 a.m. – 6 p.m., EST, Monday – Friday

TABLE OF CONTENTS

Table of Contents	Page 2
Before You Begin	Page 2
Safety Information	Page 2
Package Contents	Page 3
Assembly	Page 4
Care and Maintenance	Page 5
Warranty Information	Page 6



BEFORE YOU BEGIN

Please read and understand this entire manual before attempting to assemble, operate or install this appliance. If you have any questions regarding the product, please call us toll-free at **(866) 985-7877**, email us at cservice@welltraveled.net, or go online and live chat at www.wtliving.com. Our hours are: **9 a.m. – 6 p.m., EST, Monday – Friday**

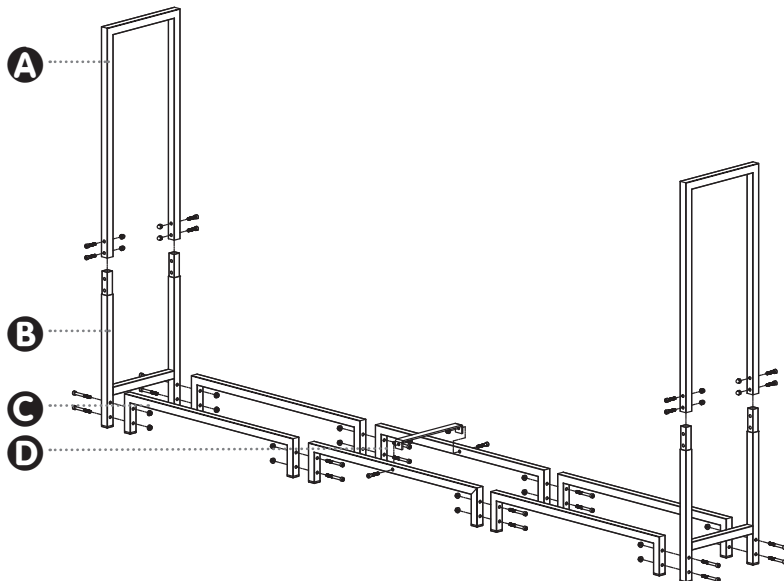
This manual contains important information about the assembly, operation and maintenance of this log rack. General safety information is presented in the first few pages and is also located throughout this manual. Keep this manual for future reference and to educate new users of this appliance.



SAFETY INFORMATION

WARNING **FOR YOUR SAFETY**

- Do NOT use this log rack without reading the entire “Owner’s Manual”.
- Do not stand on log rack.
- Do NOT alter this log rack in any manner.
- Always use this log rack on a hard, level surface.
- Do NOT use this log rack until it is COMPLETELY assembled and all parts are securely fastened and tightened.
- Do NOT overload the log rack.
- This log rack should be thoroughly inspected and cleaned on a regular basis.
- **WARNING:** Fuels used in wood or charcoal burning appliances, and the products of combustion of such fuels, contain chemicals known to the State of California to cause cancer and birth defects or other reproductive harm.



PART	DESCRIPTION	QUANTITY
A	Side Top Bracket	2
B	Side Bottom Bracket	2
C	Base Bracket	6
D	Base Connector	1



HARDWARE CONTENTS



E

Large Bolt
Qty: 16



F

Medium Bolt
Qty: 2



G

Small Bolt
Qty: 8



H

M8 Nut
Qty: 18



I

M8 Cap
Qty: 8



J

Allen Wrench
Qty: 1



K

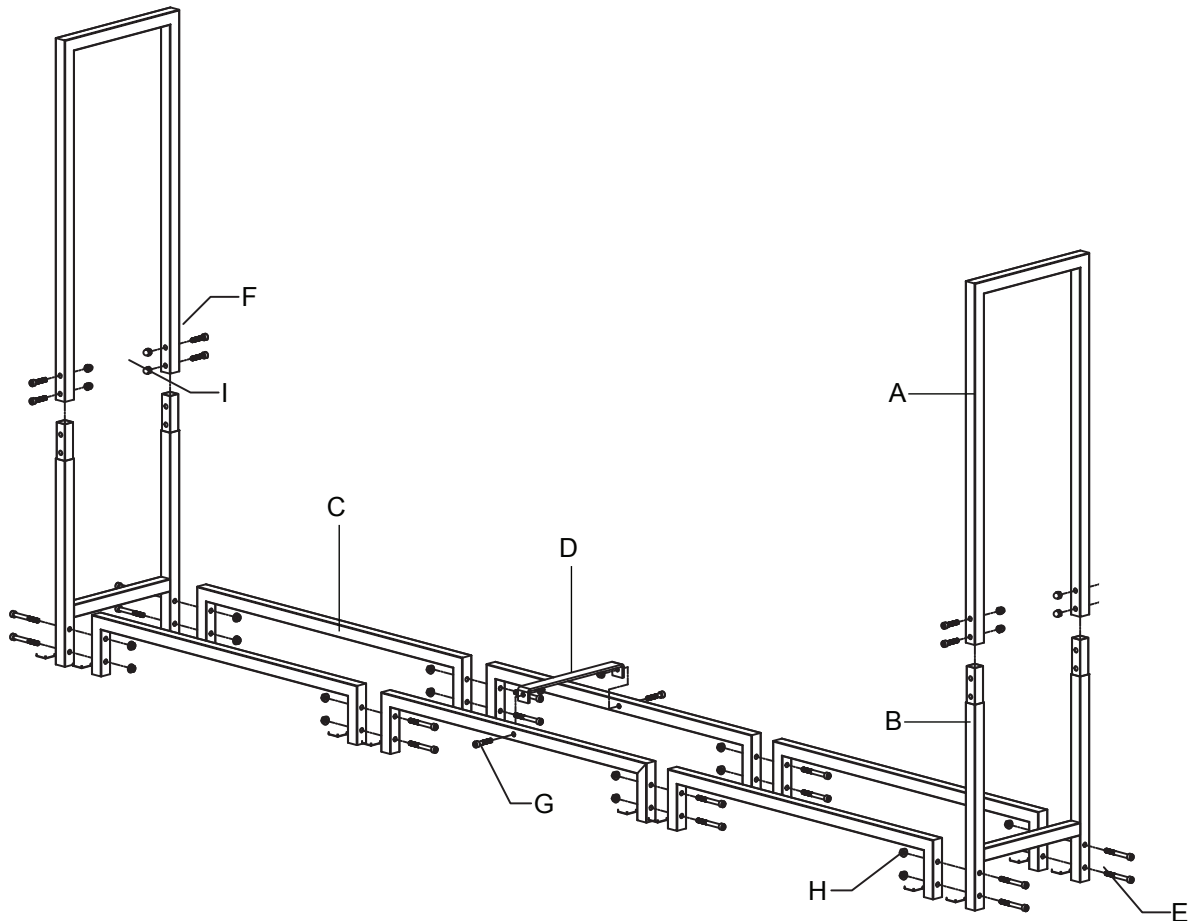
Wrench
Qty: 1



PREPARATION

Before beginning assembly, be sure to empty contents of carton and make sure all parts are present. If any parts are missing, please contact Customer Service at (866)-985-7877, Monday-Friday, 9 a.m. – 6 p.m. EST or email at cservice@welltraveled.net.

Place all parts on a soft, level surface for assembly. You will need an **open-end wrench** and **Phillips screwdriver** for assembly. Estimated Assembly Time: 20 Minutes | DO NOT over tighten hardware!



- Place **Side Top Bracket (A)** over the top of the **Side Bottom Bracket (B)**. Secure with **Small Bolt (G)** and **M8 Cap (I)**. Repeat with remaining set of **Side Top Bracket** and **Side Bottom Brackets**. Connect **Base Brackets (C)** with **Large Bolt (E)** and **M8 Nut (H)** to form two rows made up of three **Base Brackets** each making sure that the middle **Base Bracket** in each row contains holes for the **Base Connector (D)**. Connect one side of **Base Bracket** to **Side Bottom Bracket** with **Large Bolt and M8 Cap**. Repeat with remaining three sides. Connect middle **Base Brackets** with **Base Connector (D)** using **Medium Bolts (F)**. Repeat with **Side Top Bracket** and **Side Bottom Bracket** to secure together making sure the **Base Connector** sits flush with the **Base Brackets**. Tighten securely with **Allen Wrench (H)** and **Wrench (I)**.

Hardware Used: 16x Large Bolts, 2x Medium Bolts, 8x Small Bolts, 18x M8 Nut, 8x M8 Cap



INSPECTING:

This outdoor log rack should be inspected on a regular basis to make sure that all bolts and nuts are secured to prevent any malfunction or accident.

CLEANING:

This log rack should be cleaned and dusted on a regular basis to promote a longer product life.

Do NOT use oven cleaner or abrasive cleaners as they will damage this product.

Do NOT clean any part of this log rack in a self cleaning oven as it may damage the finish.

1. Wipe exterior surfaces with a mild dishwashing detergent or baking soda.
2. For stubborn surfaces, use a citrus based degreaser and a nylon scrubbing brush.
3. Rinse with clean water.

STORAGE:

Keep log rack in a dry area to avoid rusting.

Fire Sense® products are made to resist premature rusting. However, eventually, all metals will rust. Some environments promote premature rusting of metals. For best results, at the first sign of rust or other corrosion, use an emery cloth, metal-grade sand paper or a rotary tool to buff away the blemish and touch up the spot with rust-resistant spray paint available at local hardware stores.



1 YEAR LIMITED WARRANTY

Customers in the Continental US

All components are warranted for a period of 1 year after date of purchase by the original owner against defects in materials and workmanship under normal use. This warranty does NOT cover normal wear and weathering, assembly and/or maintenance OR use in a commercial application if model is not designated as a commercial model. At Well Traveled Living's sole discretion, products under warranty will be repaired and/or replaced at no charge to the customer. Any returns sent back to Well Traveled Living must be sent via prepaid freight and in the original retail packaging.

For warranty service contact Well Traveled Living at the address, phone numbers or internet site and email listed in this owner's manual. Be sure to have your sales receipt, date of purchase and catalogue/model numbers available when calling. All warranty service will be coordinated by the Well Traveled Living's, Amelia Island, Florida service center.

This warranty is extended only to the original purchaser. Proof of purchase will be required before warranty service is rendered. The sales receipt is the only valid proof of purchase. This warranty only covers failures due to defects in materials or workmanship which occur during normal use. Failures and/or damage which result from accident, negligence, misuse, abuse, neglect, mishandling, alteration or modification, failure to maintain, improper assembly or maintenance, service by unauthorized agency or use of unauthorized components or damage that is attributable to acts of God are NOT covered.

This limited warranty gives you specific legal rights and you may also have other rights which vary from jurisdiction to jurisdiction. The provisions of the United Nations Convention on Contracts for the Sales of Goods shall not apply to this limited warranty or the sale of products covered by this limited warranty.

- THERE ARE NO EXPRESS WARRANTIES EXCEPT AS LISTED ABOVE
- PURCHASER ASSUMES ALL RISKS IN THE ASSEMBLY AND OPERATION OF THIS UNIT
- FAILURE TO FOLLOW WARNINGS AND OPERATIONAL INSTRUCTIONS CONTAINED IN THIS MANUAL CAN RESULT IN SEVERE PROPERTY DAMAGE AND/OR PERSONAL INJURY
- IN NO EVENT WILL WELL TRAVELED LIVING, OR ITS DIRECTORS, OFFICERS OR AGENTS BE LIABLE TO THE PURCHASER OR ANY THIRD PARTY, WHETHER IN CONTRACT, IN TORT, OR ON ANY OTHER BASIS, FOR ANY INDIRECT, SPECIAL, PUNITIVE, EXEMPLARY, CONSEQUENTIAL, OR INCIDENTAL LOSS, COST, OR DAMAGE ARISING OUT OF OR IN CONNECTION WITH THE SALE, MAINTENANCE, USE, OR INABILITY TO USE THE PRODUCT, EVEN IF WELL TRAVELED LIVING OR ITS DIRECTORS, OFFICERS OR AGENTS HAVE BEEN ADVISED OF THE POSSIBILITY OF SUCH LOSSES, COSTS OR DAMAGES, OR IF SUCH LOSSES, COSTS, OR DAMAGES ARE FORESEEABLE. IN NO EVENT WILL WELL TRAVELED LIVING, OR ITS OFFICERS, DIRECTORS, OR AGENTS BE LIABLE FOR ANY DIRECT LOSSES, COSTS OR DAMAGES THAT EXCEED THE PURCHASE PRICE OF THE PRODUCT.
- SOME JURISDICTIONS DO NOT ALLOW THE EXCLUSION OR LIMITATION OF INCIDENTAL OR CONSEQUENTIAL DAMAGES, SO THE ABOVE LIMITATION OR EXCLUSION MAY NOT APPLY TO THE PURCHASER.



Important Notice

Do NOT return to place of purchase—for customer service and warranty issues contact our Customer Service Center at: **(866) 985-7877**, email us at cservice@welltraveled.net, or go online and live chat at www.wtliving.com. Our hours are: **9 a.m. – 6 p.m., EST, Monday – Friday**



Distributed By:
Well Traveled Living
716 S 8th Street, Amelia Island, FL 32034
wtliving.com | cservice@welltraveled.net
(866) 985-7877